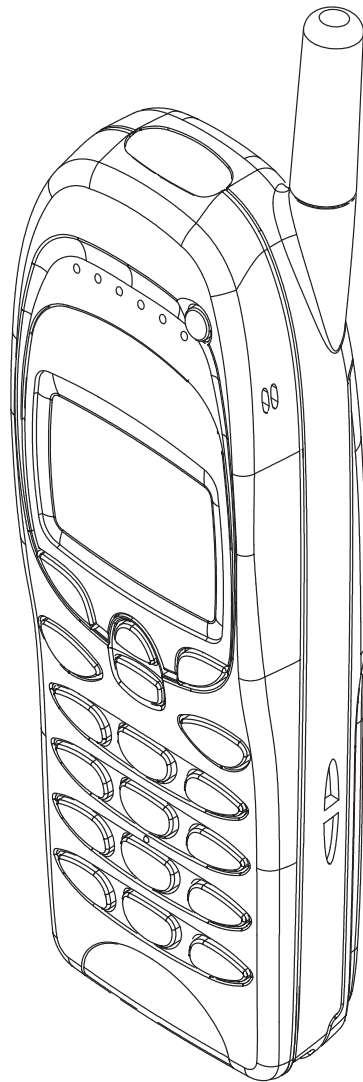


PAMS Technical Documentation

TRANSCEIVER NSM-1NY



CONTENTS

	Page No
Foreword	2 – 3
Transceiver NSM-1NY	2 – 4
Modules	2 – 4
Exploded View of Transceiver NSM-1NY	2 – 5
Assembly Parts of NSM-1NY	2 – 6

Appendix 1

Foreword

This section of the service manual (Appendix) contains specific details for the NSM-1NY handportable telephone.

The appendix comprises two chapters as follows: Chapter 1, Foreword (this chapter); Chapter 2, Transceiver NSM-1NY, containing an exploded view of the NSM-1NY variant (including a list of assembly parts) plus component parts lists covering the system module and the display module.

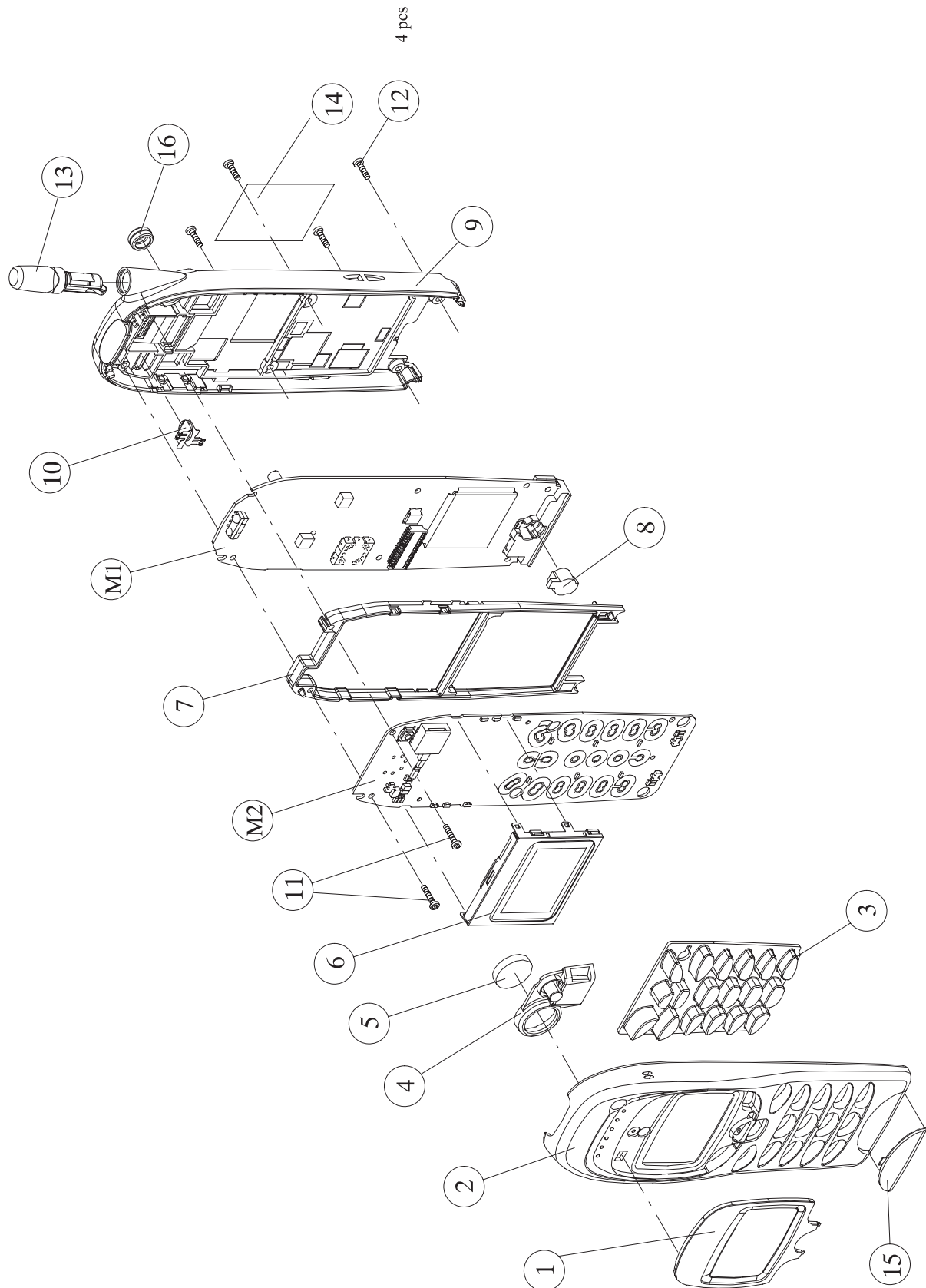
NOTE: **The Service Manual is intended for use by qualified service personnel only.**

Transceiver NSM-1NY

Modules

Transceiver NSM-1NY N2R black	0501436
• system module UG3	0201113
• display module UE4	0200860
• A-cover black	9457950
• mechanics MNSM-1	0261459

Exploded View of Transceiver NSM-1NY



Assembly Parts of NSM-1NY

ITEM	Q'TY	CODE	DESCRIPTION	VALUE, TYPE
1		9457949	Window	DMC01102
2		9457950	A-cover	DMC01101
3		9794003	Keymat	DMC01029
4		9790274	Power keymat	DMC01073
5		5140067	Speaker + Spring	
6		0200921	GD40 LCD Module	
M2		0200860	UI Module UE4	
7		9460255	Frame	DMD03394
8		5140101	Microphone + Boot	DMC00955
M1		0201113	System/RF Module UG3	
9		9457978	B-Cover assy	DMC01170
10		4700057	RTC Battery	
11	2	6190015	Screw M1.6x10 T6	
12	4	6190013	Screw M1.6x7 T6	
13		0660178	Antenna 890 – 960 / 1710 – 1880 MHz	
14		9380671	Type Label – blank	
15		9457951	Logo Label	
16		9451139	Dust Cap	DMD02859